

LED Flood Lighting

SUFA-M Series

GigaTera[®]
beyond light

SFM1K2 / SFM400 / SFM400 (Warm/Cool)

Product Description

- Tilt and rotatable for easy aiming and optimized uniformity
- Stable cooling structure that points the heat release
- Boosted installation efficiency thanks to the slimmed-down product
- High CRI & R9 Content better visibility
- Linkage with wired control system even for event light control
- Color Tunable (4000K ~ 5700K)



Application

- Sports Stadium
- Indoor Venues

Certification

- UL
- FCC / DLC

SUFA-M Series Specifications

Model Name	SFM1K2	SFM400					SFM400 (Warm/Cool)						
Power Consumption	1,200W (200Wx6)					400W							
CCT	5000K (5700K / 4000K / 3000K available)						Color Tunable (4000K ~ 5700K)						
							4000K	5000K	5700K	4000K	5000K	5700K	
Luminous Flux * (lm)	120,000	126,000	138,000	42,000	46,000	50,000	36,000	38,000	36,000	38,000	40,000	38,000	
Luminous Efficacy * (lm/W)	100	105	115	105	115	125	90	95	90	95	100	95	
CRI	90 Ra	80 Ra	70 Ra	90 Ra	80 Ra	70 Ra	90 Ra			80 Ra			
LED Driving Current	1,080 mA												
Light Distribution	45° / 30° / 15°												
Input Voltage	DC100V (through RED)					200 ~ 277 Vac / 347 ~ 480 Vac							
Input Current	Refer to RED1K2 spec.					Max. 2.5A (@200 Vac) / Max. 1.6A (@347 Vac)							
Driver Type	Constant Current (CC)												
Fixture Manufacturer	GigaTera Lighting Inc. / Made in Korea												
Weight	SFM	46.3 lb / 21.0 kg					8.0 kg / 17.6 lb						
	Dirver	Refer to RED1K2 spec.					7.1 kg / 15.7 lb			10.0 kg / 22.0 lb			
Material	Body	Cast Aluminum											
	Optic	AL Coating Reflector											
	Cover	Tempered Glass 3.2T (Clear), Anti UV & Dust, Shatter Proof											
Finish	Powder Coating												
Option	Control	Refer to RED1K2 spec.					Wired (RS-485, DMX-512)						
IP Rating	IP66												
Operating Temperature	-30°C ~ 50°C												
Warranty	5 Years (12 hours usage per day)												

* Tolerance : ± 10%

Remote Driver Specifications

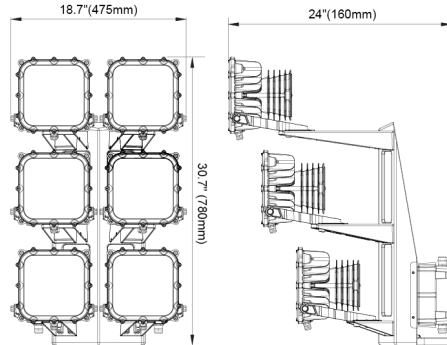
Model Name	RED1K2	
Power Consumption	1,200W	
Compatible Model	SFM1K2	
Input Voltage	200 ~ 277 Vac / 347 ~ 480 Vac	
Output Voltage	DC100V	
Input Current	Max. 7.6A (@200 Vac) / Max. 4.4A (@347 Vac)	
Power Factor	≥0.9 at Max load	
Frequency	50 / 60 Hz	
Surge Protection	Line – Line 20kV, Line – FG 20kV	
Fixture Manufacturer	GigaTera Lighting Inc. (Made in Korea)	
Weight	13.0 kg / 28.7 lb (Exclude IP Box), 20.0 kg / 44.1 lb (Include IP Box)	
Option	Control	Wired (RS-485, DMX-512)
IP Rating	IP66 (When IP box applied)	
Warranty	5 Years (12 hours usage per day)	

LED Flood Lighting

SUFA-M Series

SFM1K2 / SFM400 / SFM400 (Warm/Cool)

SUFA-M 1200W

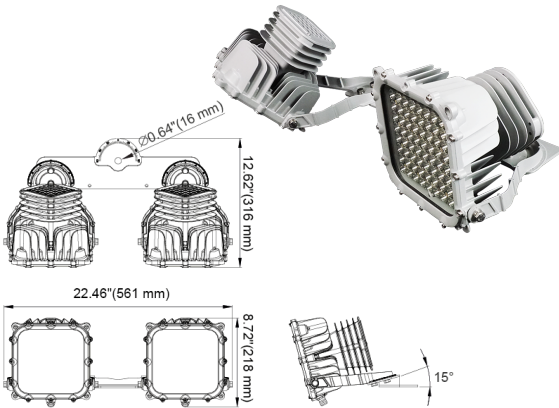


Size

18.7 x 30.7 x 24 (inch)

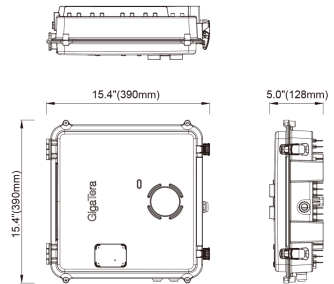
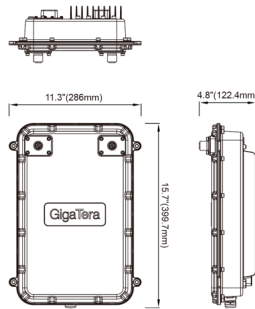
475 x 780 x 610 (mm)

SUFA-M 400W



Power box

Power box (W/C)



Size

561 x 218 x 316 (mm)

22.5 x 8.7 x 12.6 (inch)

Size

286 x 399.7 x 122.4 (mm)

11.3 x 15.7 x 4.8 (inch)

Size

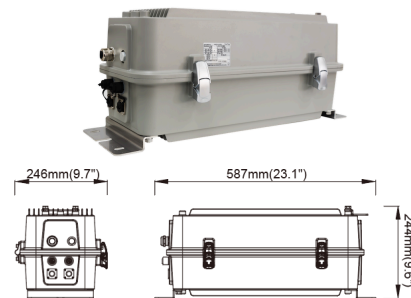
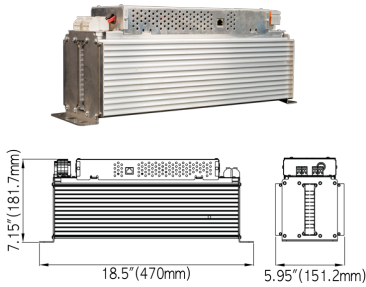
390 x 390 x 128 (mm)

15.4 x 15.4 x 5.0 (inch)

Remote Driver

RED

RED IP66 BOX (Optional)



Size

470.0 x 151.2 x 181.7 (mm)

18.5 x 6.0 x 7.2 (inch)

Size

587.0 x 246.0 x 244.0 (mm)

23.1 x 9.7 x 9.6 (inch)

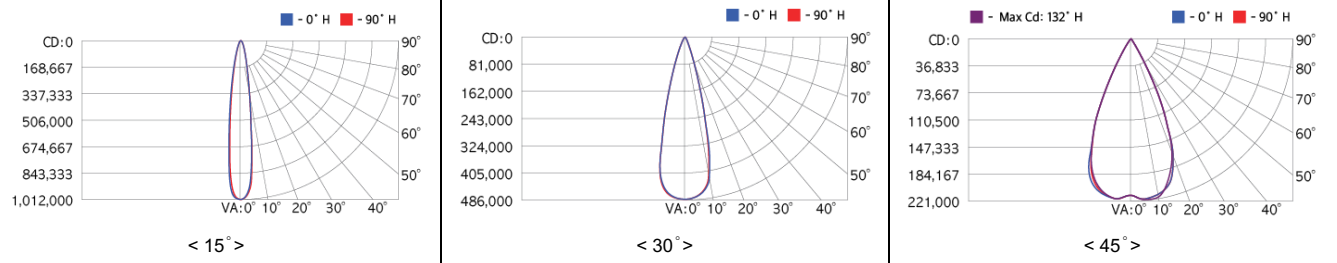
LED Flood Lighting

SUFA-M Series

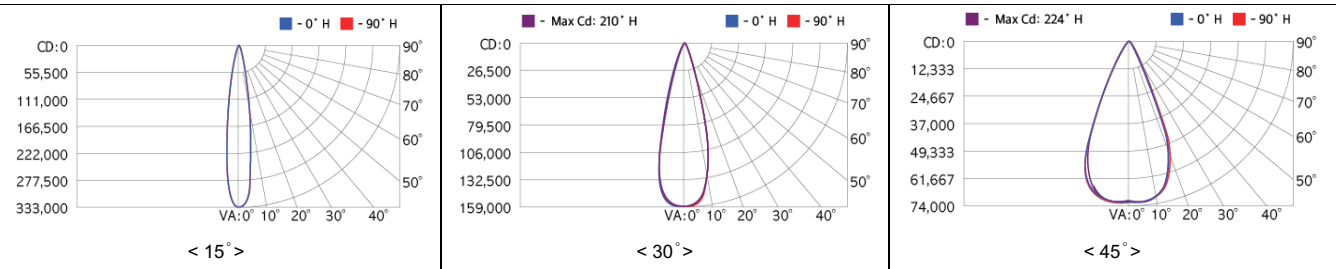
SFM1K2 / SFM400 / SFM400 (Warm/Cool)

Photometry Data

SFM1K2 / 5000K



SFM400 / 5000K



Control System (Optional)

Wired Control	RS-485	DMX-512
Input Voltage	15 Vdc	
Max. Power Consumption	0.2W (@15 Vdc)	
Communication Method	RS-485	DMX-512
Data Rate	115,200 bps, 8-N-1	250,000 bps, 8-N-2

Ordering Information

Ordering Code Usage : SFM400-H500458W

SFM	000	-	0	00	000	0	0
	Power Consumption		Input Voltage	CCT (K)	Beam Angle	CRI	Control System
	1K2 = 1200W		V = DC 100V	57 = 5700K 50 = 5000K 40 = 4000K 30 = 3000K	045 = 45° 030 = 30° 015 = 15°	9 = 90 Ra 8 = 80 Ra 7 = 70 Ra	W = Wired (RS-485) M = Wired (DMX-512) N = None
	400 = 400W		C = 347 ~ 480V H = 200 ~ 277V	57 = 5700K 50 = 5000K 40 = 4000K 30 = 3000K CT = Color Tunable (4000K~5700K) MX = Color Tunable (4000K~5700K)			

Ordering Information

Ordering Code Usage : RED1K2-HVW

RED	000	-	0	0	0
	Power Consumption		Input Voltage	Output Voltage	Control System
	1K2 = 1,200W		C = 347 ~ 480V H = 200 ~ 277V	V = DC100V	W = Wired(RS-485) M = Wired(DMX-512)